



## WALL MOUNTED UP/ DOWNLIGHT

A classic Sovereign design updated to the latest LED technology, the Sovereign Saturn Up/Downlight provides high quality, energy efficient lighting for interior environments. Subtly offset from the wall, the Saturn's design offers both the main uplighting, as well as a downlight facility from a secondary light source integrated within the wall box. The Saturn's microprism diffuser generates a pleasingly soft and uniform spread, while the high-purity aluminium spun housing ensures quality and product longevity. Integral control gear as standard.

### PRODUCT RANGE DETAILS

PRODUCT RANGE NAME	SOVEREIGN SATURN UP/DOWNLIGHT
CATALOGUE NUMBER	S18506
APPLICATION	INTERIOR WALL
LIGHT SOURCE	TRIDONIC LLE
LAMP LIFE	50,000 HOURS
CRI (RA)	>80
VOLTAGE	240V
CLASS	CLASS 1
DRIVER	INTEGRATED HIGH EFFICIENCY
IP RATING	IP20
HOUSING MATERIAL	SPUN ALUMINIUM
DIFFUSER	MICROPRISM P42
MATERIAL FINISH	POWDER COATED
WEIGHT	2.1KG
LED WARRANTY	5 YEARS

### CUSTOMISATION OPTIONS

HOUSING COLOUR	WHITE / BLACK / SILVER / OTHER
COL. TEMP	WARM WHITE (3000K) / NEUTRAL WHITE (4000K)
DIMMABLE	VARIOUS OPTIONS (see order code)
EMERGENCY	VARIOUS OPTIONS (see order code)

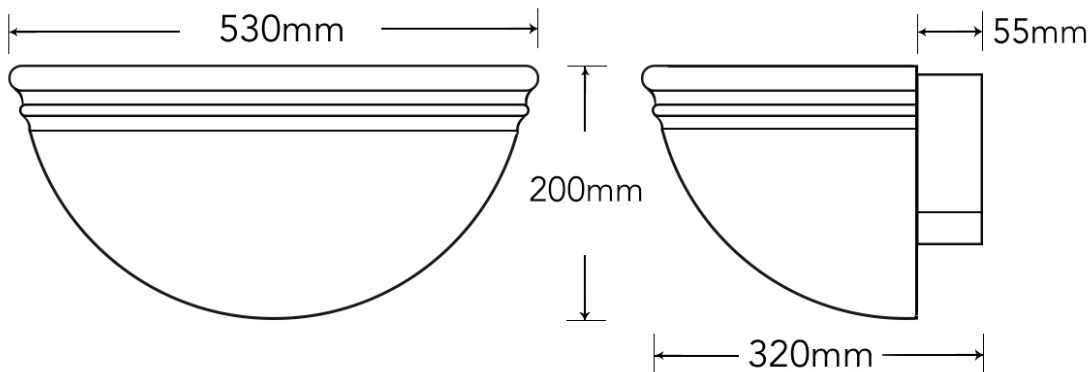
### LIGHT OUTPUT DETAILS

Col. Temp	Wattage	Lumen Output	LED Efficacy
3000K	56W	7640lm + 640lm	146lm/W
4000K	56W	8000lm + 670lm	154lm/W
3000K	84W	11460lm + 640lm	146lm/W
4000K	84W	12000 + 670lm	154lm/W



# TECHNICAL DATASHEET

## DIMENSIONS (MM)



## ORDER CODE

RANGE	HOUSING COLOUR	COLOUR TEMP & OUTPUT	EMERGENCY	POWER SUPPLY
S18506 SATURN UP/DOWN	.05 WHITE	00 3000K 56W	/10 NON EM	0 NON DIMMING
	.04 BLACK	01 4000K 56W	/11 NON MAINTAINED EM	1 1-10V DIMMING
	.21 SILVER	02 3000K 84W	/14 MAINTAINED 3HR EM	2 DALI DIMMING
		03 4000K 84W		3 MAINS DIMMING
				4 DSI DIMMING
				5 SWITCH DIM
			6 DMX	

### Example

**Product Code:** S18506.0500/100

**Product Details:** SATURN UP./DOWNLIGHT / WHITE / 3000K / 56W / NON-EM / NON-DIMMING

For products with specifications not listed in the options above, please get in touch. Commercial Lighting is always happy to discuss and develop additional variants for clients.

Disclaimer text:  
Commercial Lighting Systems Ltd uses quality components from leading suppliers, however there may be isolated instances of technology-related failures of individual LEDs during the rated product lifetime. International standards set the tolerance in initial flux and connected load at ±10%. Colour temperature is subject to a tolerance of up to +/-150 Kelvin from the nominal value. Unless stated otherwise, the values apply to an ambient temperature of 25°C. Commercial Lighting is continually developing and improving its products and reserves the right to change technical specifications without prior notice.