

SOVEREIGN®

Manufactured in the UK by
Commercial Lighting Systems Ltd

+44 (0)1489 581002
sales@commercial-lighting.co.uk
www.commercial-lighting.co.uk

Round Projector

Track / Ceiling Projector



Technical

IP rating	IP40
CRI	>80
Lamp Life	50,000 hours
Light Source	Tridonic SLE LED
Voltage	240V
Driver	250mA / 350mA
Colour Temperature	3000K / 4000K
Output	9.4W / 13.6W / 15.8W
Beam	15° / 26° / 45°
Control	Remote Dimmable options available
LED Warranty	5 Years

Housing

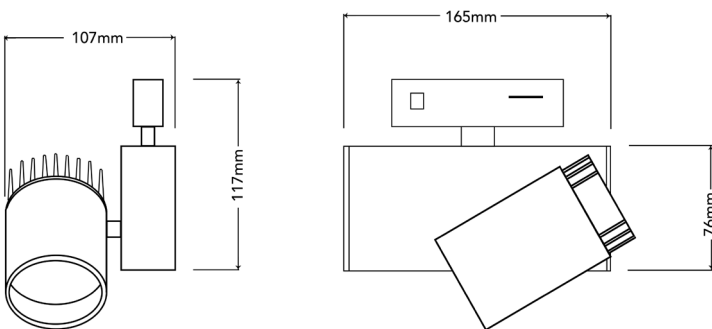
Material	Extruded aluminium
Finish	Powder coated
Bezel Colour	White / black / silver / any BS/RAL
Protection Rating	Class 1
Weight	1.3KG
Mounting	Track adapter / ceiling plate
Style	Vertical / shallow
Accessories	Barn doors / louvre / filters

Light Output

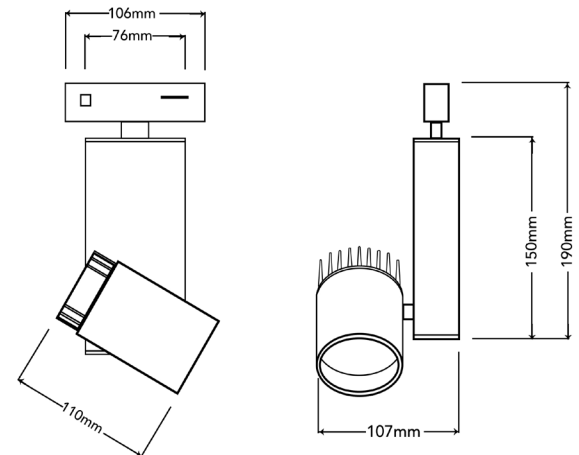
CCT	Wattage	Output	Sys Efficacy
3000K	9.4W	1346lm	143lm/W
4000K	9.4W	1423lm	151lm/W
3000K	13.6W	1824lm	134lm/W
4000K	13.6W	1928lm	142lm/W
3000K	15.8W	2059lm	131lm/W
4000K	15.8W	2176lm	138lm/W

Dimensions

Shallow version



Vertical version



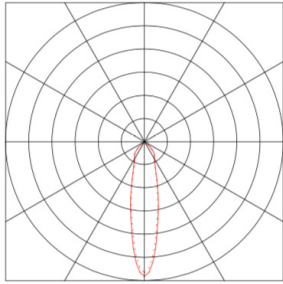
Disclaimer text:

Commercial Lighting Systems Ltd uses quality components from leading suppliers, however there may be isolated instances of technology-related failures of individual LEDs during the rated product lifetime. International standards set the tolerance in initial flux and connected load at ±10%. Colour temperature is subject to a tolerance of up to +/-150 Kelvin from the nominal value. Unless stated otherwise, the values apply to an ambient temperature of 25°C. Commercial Lighting is continually developing and improving its products and reserves the right to change technical specifications without prior notice.

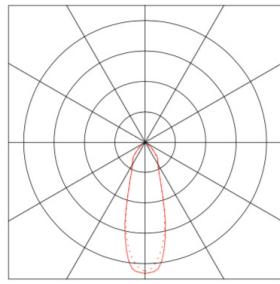
Projectors Specification sheet

Photometry

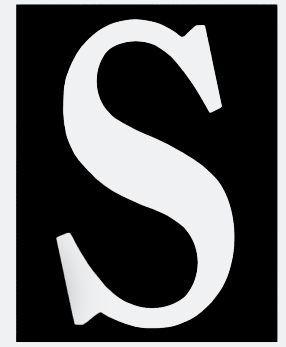
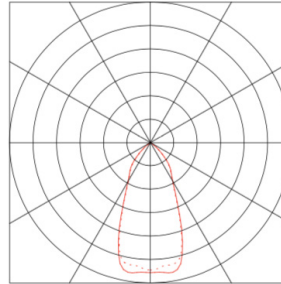
Spot 15°



Flood 26°



Wide Flood 45°



SOVEREIGN®

Manufactured in the UK by
Commercial Lighting Systems Ltd

+44 (0)1489 581002
sales@commercial-lighting.co.uk
www.commercial-lighting.co.uk

Order Code

Version		Beam Angle		Mounting		Housing Colour		CCT & Output		Control		Suffix
S18310	Round Shallow	SP	Spot	/TR	Track Adapter	/05	White	00	3000K 9.4W		Non-dimming	.8
S18311	Round Vertical	FL	Flood	/CP	Ceiling Plate	/04	Black	02	4000K 9.4W	/101	1-10V dimming	
		WFL	Wide flood			/21	Silver	03	3000K 13.6W	/102	DALI dimming	
								04	4000K 13.6W	/106	DMX	
								06	3000K 15.8W	/107	Bluetooth	
								07	4000K 15.8W			

Accessories

A full range of accessories is now available for use with our highly successful British designed and built Electronic LED Spot range of high performance LED projectors. All versions are based around a high quality machined mounting frame incorporating a ball catch system for ease of use. Can be easily retrofitted to fittings already supplied.



Cat No.	Description
950.0323	Honeycomb Louvre
950.0325.020	Blue Filter
950.0325.030	Amber Filter
950.0325.040	Green Filter
950.0325.060	Red Filter
950.0325.070	Yellow Filter
950.0336	Barn Door
950.0342	Spreader Lens
950.0343	Frosted Lens

Disclaimer text:

Commercial Lighting Systems Ltd uses quality components from leading suppliers, however there may be isolated instances of technology-related failures of individual LEDs during the rated product lifetime. International standards set the tolerance in initial flux and connected load at ±10%. Colour temperature is subject to a tolerance of up to +/-150 Kelvin from the nominal value. Unless stated otherwise, the values apply to an ambient temperature of 25°C. Commercial Lighting is continually developing and improving its products and reserves the right to change technical specifications without prior notice.