

ECOBLADE SLOT FREE STANDING UPLIGHTER

S18742



An exceptionally high performance range of top quality free standing uplighters, specifically designed around the latest high efficiency Tridonic LLE modules, offering superb performance of up to 154lm/W. Available in a range of styles including uplight only or up/downlight.

Main housing produced from extruded aluminium with integral passive thermal management. All versions supplied with Nano/Microprism diffuser for optimum light transmission and visual comfort. Finished in textured polyester powder coat with standard finishes in white, black and silver, with other BS/RAL colours available to order.

RANGE DETAILS

CATALOGUE NUMBER	S18742
APPLICATION	INTERIOR FLOOR
LIGHT SOURCE	TRIDONIC LLE
LAMP LIFE	50,000 HOURS
COLOUR RENDERING (CRI)	>80
VOLTAGE	240V
PROTECTION RATING	CLASS 1
DIFFUSER	NANO / MICROPRISM
IP RATING	IP40
MATERIAL FINISH	TEXTURED POWDER COATED
HOUSING MATERIAL	ALUMINIUM
WEIGHT	24KG
LED WARRANTY	5 YEARS

CUSTOMISATION OPTIONS

STYLE	UP OR UP/DOWN
COL TEMP	3000K / 4000K
HOSUING COLOUR	BLACK / WHITE
HEIGHT	1830MM AS STANDARD
DIMMABILITY	DIMMABLE OPTIONS AVAILABLE
EMERGENCY	AVAIALBLE WITH EMEREGECNY OPTIONS



LIGHT OUTPUT DETAILS

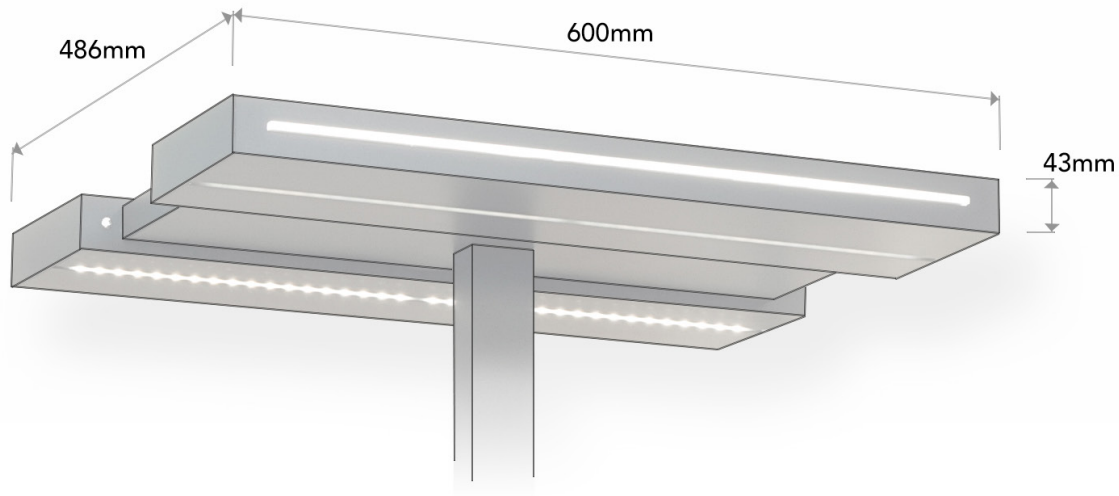
UPLIGHTER

COL. TEMP	WATTAGE	LUMEN OUTPUT	LED EFFICACY
3000K	52W	8100lm	156lm/W
4000K	52W	8500lm	163lm/W

UP / DOWN

COL. TEMP	WATTAGE	LUMEN OUTPUT	LED EFFICACY
3000K	66W	10126lm	153lm/W
4000K	66W	10600lm	161lm/W

DIMENSIONS (MM)



ORDER CODE

RANGE	HOUSING COLOUR	COLOUR TEMP, OUTPUT & STYLE	EMERGENCY	POWER SUPPLY
S18742 ECOBLADE SLOT FSU	.X5 TEXTURED WHITE	00 3000K 52W UPLIGHT	/10 NON EM	0 NON DIMMING
	.X4 TEXTURED BLACK	01 4000K 52W UPLIGHT	/11 NON MAINTAINED EM	1 1-10V DIMMING
	.X2 TEXTURED SILVER	02 3000K 66W UP / DOWN	/14 MAINTAINED	2 DALI DIMMING
		03 4000K 66W UP/DOWN		3 MAINS DIMMING
			4 DSI DIMMING	
			5 SWITCH DIMMING	
			6 DMX	

Disclaimer text:
 Commercial Lighting Systems Ltd uses quality components from leading suppliers, however there may be isolated instances of technology-related failures of individual LEDs during the rated product lifetime. International standards set the tolerance in initial flux and connected load at $\pm 10\%$. Colour temperature is subject to a tolerance of up to ± 150 Kelvin from the nominal value. Unless stated otherwise, the values apply to an ambient temperature of 25°C. Commercial Lighting is continually developing and improving its products and reserves the right to change technical specifications without prior notice.