

CEILING/ ADJUSTABLE, GIMBAL

## HIGH POWER

### Gimbal LED Downlight

This High Power gimbal downlight offers an impressive light output of up to 5025 lumens for the single version, and 10050 lumens for the twin version. Incorporating the latest Bridgelux LED modules and a high efficiency LED driver for optimum life and energy efficiency, this gimbal downlight is a suitable replacement for high output conventional downlights.

As with all our Sovereign downlights, the High Power gimbal downlight features up-to-date aluminium heatsink technology and is available in a range of beam angles. Main bezel of die-cast aluminium, with powder coated finish for durability. Standard colours are white or black, with other BS/RAL colours to order.



Twin version

## PRODUCT DETAILS

- Product number: S18151
- Lamp: Bridgelux LED module
- Driver: High efficiency
- Body material: Die-cast aluminium
- Body finish: Powder Coated
- Built-in clear glass lens
- Passive heatsink technology
- Cutout size: 165mm (single), 325mm x 165mm (twin)

## CUSTOMISATION OPTIONS

- Available in single and twin versions.
- Beam angles: available in spot, flood and wide flood versions.
- Body colour: white as standard, with other BS/RAL colours available.
- Light colour temperature: choice of Warm White (3000°K) and Neutral White (4000°K).
- Emergency and Dimmable versions available.

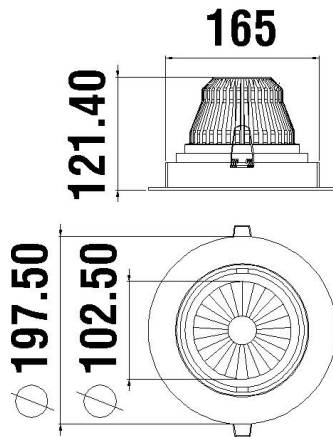
## LIGHT OUTPUT DETAILS

High Power Gimbal LED Downlight			
Watt	Colour Temp (°K)	Lumens (Single version)	Lumens (Twin version)
26	3000	2130	4260
26	4000	2450	4900
50	3000	4375	8750
50	4000	5025	10050

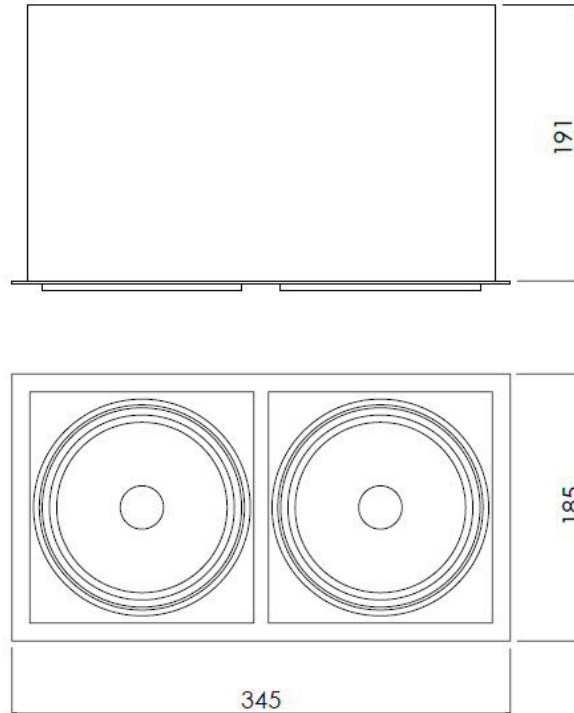
CEILING/ ADJUSTABLE, GIMBAL

## Dimensions

### SINGLE VERSION



### TWIN VERSION



## ORDER CODE

Example - S18151FL.0511/201 26W, Single, Flood, White Finish, 4000°K, Non EM, 1-10V Dimming

S18151		FL	.05	11	/20	1
<b>RANGE</b> S18151 26W Output S18155 50W Output	<b>INSERT</b> /2 for twin	<b>REFLECTOR</b> FL Flood SP Spot WFL Wide Flood	<b>BEZEL COLOUR</b> 05 White 04 Black 21 Silver	<b>COLOUR TEMP</b> 10 3000°K (26W) 11 4000°K (26W) 02 3000°K (50W) 03 4000°K (50W)	<b>EMERGENCY</b> /20 Non EM /21 Non Maintained EM /24 Maintained 3Hr EM	<b>POWER SUPPLY</b> 0 Non Dimming 1 1-10V Dimming 2 DALI Dimming 3 Mains Dimming 4 DSI Dimming 5 Switch DIM 6 DMX

#### Disclaimer text

Commercial Lighting Systems Ltd uses quality components from leading suppliers, however there may be isolated instances of technology-related failures of individual LEDs during the rated product lifetime. International standards set the tolerance in initial flux and connected load at  $\pm 10\%$ . All values marked with an \* are rated values. Colour temperature is subject to a tolerance of up to  $\pm 150$  Kelvin from the nominal value. Unless stated otherwise, the values apply to an ambient temperature of 25°C.