

### MEYER RETROFIT

## SUPERLIGHT COMPACT EXTERIOR LED PROJECTOR



This Sovereign Bespoke service brings older Meyer Superlight Compact products totally up to date with the latest LED technology. Using high performance LES15 & LES17 LED modules from Tridonic / Philips in conjunction with the most efficient high output drivers for optimum performance and longevity, existing 70W & 150W HID products can be converted at around half the cost of a new fitting.

Working in close partnership with Meyer, Commercial Lighting is also able to offer new Superlight Compact fittings with matching specifications, produced directly in our Southampton factory.

### PRODUCT RANGE DETAILS

- **Product range name:** Superlight Exterior Projector
- **Product range number:** M8862 / M8868
- **Application:** Exterior
- **Lamp:** LES15 / LES17 LED
- **Lamp life:** 50,000 hours
- **CRI:** >80
- **Voltage:** 240V
- **Class:** Class 1
- **Driver:** High Efficiency
- **IP Rating:** IP65
- **Housing material:** Die-cast Aluminium
- **Material finish:** Polyester Powder Coated
- **Weight:** 3.7kg
- **LED Warranty:** 5 years

### LIGHT OUTPUT DETAILS

#### 70W Equivalent (M8862 Range)

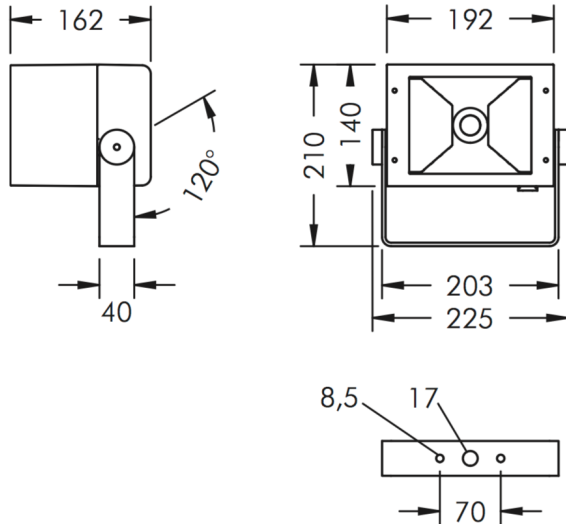
Col. Temp	Wattage	Lumen Output	LED Efficacy
3000°K	19.3W	2560lm	133lm/W
4000°K	19.3W	2670lm	139lm/W

#### 150W equivalent (M8868 Range)

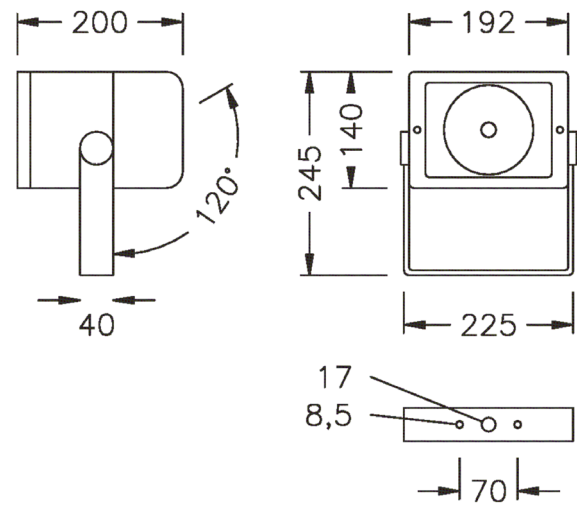
Col. Temp	Wattage	Lumen Output	LED Efficacy
3000°K	23W	3050lm	134lm/W
4000°K	23W	3180lm	139lm/W

### DIMENSIONS (MM)

#### 70W Equivalent (M8862 Range)



#### 150W equivalent (M8868 Range)



### ORDER CODE

To generate a variant-specific order code, select an option from each of the following categories:

RANGE	HOUSING COLOUR	BEAM ANGLE & COLOUR TEMP
M8862 70W equivalent	.041 Black	.458 22° 3000°K
M8868 150W equivalent	.051 Silver	.498 36° 3000°K
	.061 White	.508 22° 4000°K
		.509 36° 4000°K
		.518 ASYM 3000°K
		.528 ASYM 4000°K

#### Example

**Product Code:** M8862.061.528

**Product Details:** 70W equivalent / White / Asymmetric Beam / 4000°K Temp

For products with specifications not listed in the options above, please get in touch. Commercial Lighting is always happy to discuss and develop additional variants for clients.

#### Disclaimer text:

Commercial Lighting Systems Ltd uses quality components from leading suppliers, however there may be isolated instances of technology-related failures of individual LEDs during the rated product lifetime. International standards set the tolerance in initial flux and connected load at ±10%. Colour temperature is subject to a tolerance of up to +/-150 Kelvin from the nominal value. Unless stated otherwise, the values apply to an ambient temperature of 25°C. Commercial Lighting is continually developing and improving its products and reserves the right to change technical specifications without prior notice.