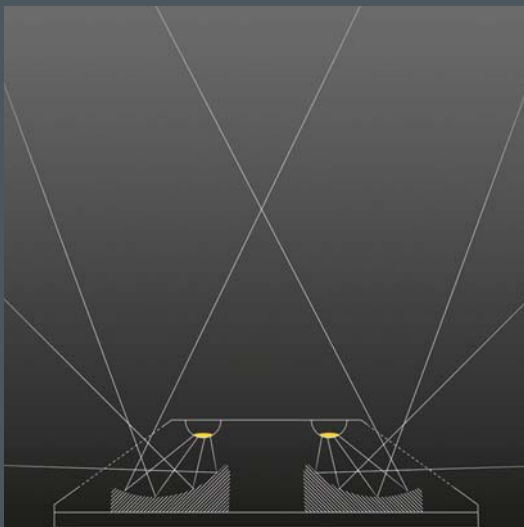


Arclux is a luminaire for the accent lighting of window reveals. The light from 2 LEDs is directed from the opposite sides of the luminaire, via specially developed reflectors, onto the window reveal. The result is a uniform arc of light. A complete window reveal can be illuminated using just one luminaire.



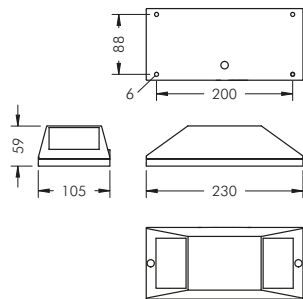
With the precise optical system the intensity of the light beam is adapted to varying distances from the luminaire to the window frame. Hence an optimal uniformity is achieved. Arclux RGBW creates the same effect with excellent colour mixing.



The structure of a façade can be emphasized by illuminating the window reveals. The result is the impressive highlighting of a building at night.



Politiebureau Rijnmond, Rotterdam/Netherlands
Lighting design: Robert Jan Vos, Hilversum



Arclux Mini

With 2 x 2 W high performance LEDs, CRI: > 90, Colour tolerance: max. 2 SDCM
 Service life: L80/B10 > 50 000 h
 protection class I, IP67 , IK08
 light directed by a high-end optical system,
 corrosion-resistant die cast aluminium housing AlSi12,
 polyester powder coated,
 all exterior steel parts are stainless steel,
 tempered high transmission safety glass,
 silicon gasket, 4 drilled holes Ø 6 mm,
 spacing 200 x 88 mm, M20 cable glands,
 integral driver (AC/DC)

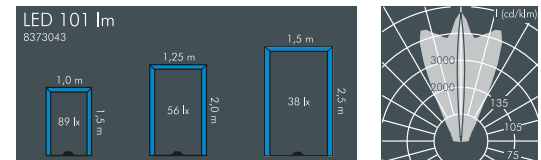
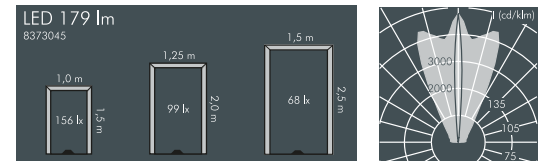
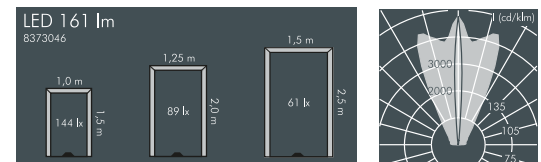
Arclux Mini

Part number*	Colour	Light source	Luminous flux	Main beam angle γ	
				C 0 – 180	C 90 – 270
8 373 046 008	black	2 x LED 2 W warm white (3000 K)	161 lm	6°	180°
8 373 066 008	white				
8 373 056 008	silver grey				

Part number*	Colour	Light source	Luminous flux	Main beam angle γ	
				C 0 – 180	C 90 – 270
8 373 045 008	black	2 x LED 2 W neutral white (4000 K)	179 lm	6°	180°
8 373 065 008	white				
8 373 055 008	silver grey				

Part number*	Colour	Light source	Luminous flux	Main beam angle γ	
				C 0 – 180	C 90 – 270
8 373 043 008	black	2 x LED 2 W blue	101 lm	6°	180°
8 373 063 008	white				
8 373 053 008	silver grey				

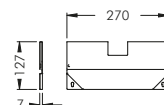
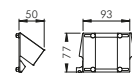
* The luminaire can also be supplied with monochrome LEDs (amber, red, green) upon request.
 DMX/DALI control with external converter



Accessories Arclux, Arclux RGBW (not for Arclux Mini)

Part number	Colour	Description
123 0 367 940	black	Glare shield , to reduce the width of the light beam
123 0 367 960	white	
123 0 367 950	silver grey	

Part number	Colour	Description
123 0 370 000	unpainted	Mounting plate , stainless steel, for window ledges







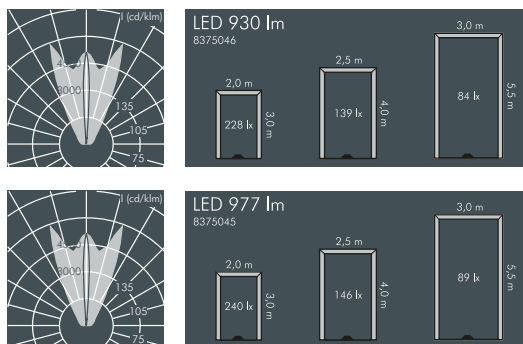
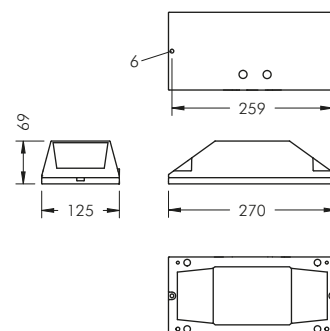
LED (see page 185)

Luminaires available in 2700 K or other colour temperatures on request



Arclux

With 2 x 6.5 W high performance LEDs,
 CRI: > 80, Colour tolerance: max. 2 SDCM
 Service life: L90/B10 > 50 000 h
 protection class I, IP67    , IK08
 light directed by a high-end optical system,
 corrosion-resistant die cast aluminium housing AlSi12,
 polyester powder coated,
 all exterior steel parts are stainless steel,
 tempered high transmission safety glass,
 silicon gasket, 2 drilled holes Ø 6 mm,
 spacing 259 mm, 2 x M20 cable glands,
 4 x M6 grub screws to offset inclined surfaces,
 integral driver (AC)






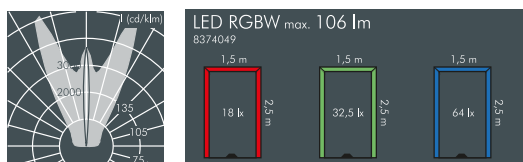
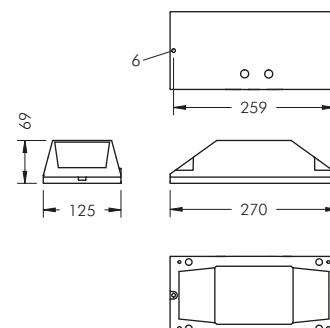
Arclux					
Part number	Colour	Light source*	Luminous flux	Main beam angle γ	
8 375 046 008	black	2 x LED 6.5 W warm white (3000 K)	930 lm	C 0 – 180	C 90 – 270
8 375 066 008	white			10°	180°
8 375 056 008	silver grey				
Part number	Colour	Light source*	Luminous flux	Main beam angle γ	
8 375 045 008	black	2 x LED 6.5 W neutral white (4000 K)	977 lm	C 0 – 180	C 90 – 270
8 375 065 008	white			10°	180°
8 375 055 008	silver grey				

* Luminaires available in 2700 K or other colour temperatures on request

Part number	Description
• • • • • 1 • •	Dimmable luminaire (DALI)

Arclux RGBW

With 2 x 4 x 1.5 W RGBW high performance LEDs
 for external DMX signal
 protection class I, IP67   , IK08
 homogeneous colour mixing achieved using light
 conductor technology, light directed by a high-end
 optical system, 3 preset colour changing sequences
 and the individual colours available without the
 use of an external DMX signal, corrosion-resistant
 die cast aluminium housing AlSi12,
 polyester powder coated, all exterior steel parts are
 stainless steel, high efficiency safety glass,
 silicone gasket, 2 fixing holes Ø 6 mm,
 spacing 259 mm, cable entries: 2 x M20,
 4 x M6 grub screws to offset inclined surfaces,
 integral DMX 512 addressable driver



Arclux RGBW					
Part number	Colour	Light source*	Luminous flux	Main beam angle γ	
8 374 049 008	black	2 x LED RGBW max. 12 W	max. 106 lm	C 0 – 180	C 90 – 270
8 374 069 008	white			12°	180°
8 374 059 008	silver grey				

*The luminaires are available with LEDs in different colour combinations upon request.

LED (see page 185)





Sole stockist and distributor in the U.K.

Commercial Lighting Systems Ltd
Units 16/17, Chandlers Way
Swanwick,
Southampton SO31 1FQ
Phone: +44 (0) 1489 581002
Fax: +44 (0) 1489 576262
E-mail: sales@commercial-lighting.co.uk

