

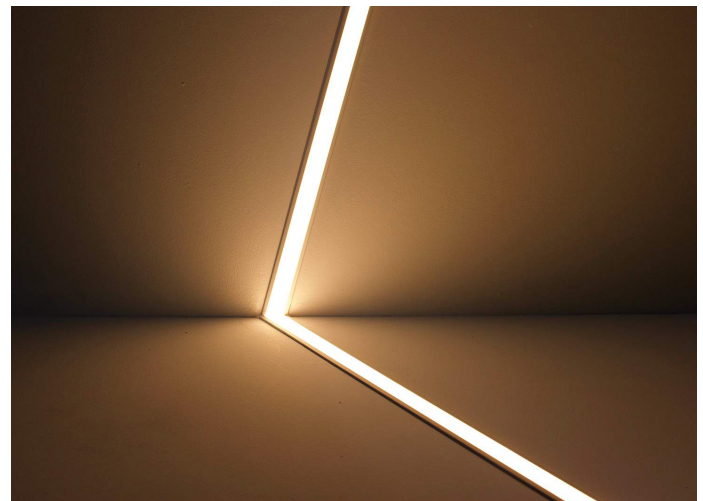
# LINEAR RECESSED NARROW PROFILE LOW POWER 4.8W LED TAPE

The Sovereign Linear Recessed Narrow is our most popular recessed profile, mounting directly into drywall without joist modification for a beautifully clean solution. Can be supplied as simple straight linear profiles in a length of your choice, or designed to wrap around corners of any angle.

This Low Power 4.8W is ideal for providing subtle lighting effects with a considerable reduction in energy consumption. It is available with fixed output or DALI dimming, as well as a range of voltages, IP ratings and CRI options.

## PRODUCT DETAILS

RANGE NAME	SOVEREIGN LINEAR RECESSED NARROW LOW POWER 4.8W
CATALOGUE NO.	S18350UL/ALR7
APPLICATION	INTERIOR RECESSED
LIGHT SOURCE	LED TAPE
LAMP LIFE	50,000 HOURS
COLOUR RENDERING (RA)	>80
COL. TEMP	3000-3500K
OUTPUT	4.8W/mtr
LUMEN OUTPUT	360lm/mtr
VOLTAGE	12V DC
CRI	Ra>70
PROTECTION RATING	CLASS 1
LED/mtr	60 LEDs/mtr
VIEWING ANGLE	120°
HOUSING MATERIAL	EXTRUDED ALUMINIUM
HOUSING FINISH	ANODISED
LED WARRANTY	5 YEARS



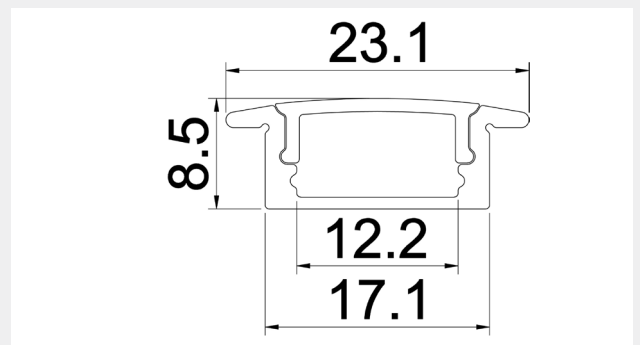
## PROFILE IMAGE



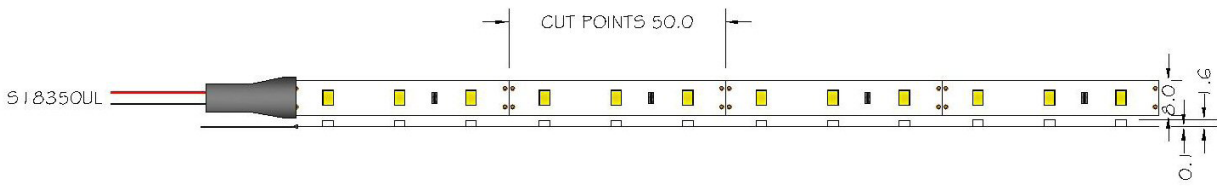
## CUSTOMISATION OPTIONS

LENGTH	ANY LENGTH (JOINS AT EVERY 2mtrs)
HOUSING COLOUR	SILVER AS STANDARD / OTHER BS/RAL
DIFFUSER	CLEAR / FROSTED / SEMI-FROSTED
DIMMABILITY	NON DIMMING / DALI DIMMING
IP RATING	IP67 (POTTED) AVAILABLE UP TO 2mtrs
ACCESSORIES	RANGE OF CONTROLLERS AVAILABLE
ADDITIONAL	HIGHER CRI RATINGS AVAILABLE

## PROFILE DIMENSIONS



## LED TAPE DIMENSIONS



## ORDER CODE

LIGHT SOURCE	LENGTH	PROFILE	DIFFUSER
S18350UL LOW POWER 4.8W	/1000 1000mm	ALR7 LINEAR RECESSED NARROW	C CLEAR
	/2000 2000mm		F FROSTED
	/**** [STATE CUSTOM LENGTH]		F50 SEMI-FROSTED

## CONTROLLERS

A wide range of handheld, wall-mounted and SMART controllers and dimmers are available on request.



Disclaimer text:

Commercial Lighting Systems Ltd uses quality components from leading suppliers, however there may be isolated instances of technology-related failures of individual LEDs during the rated product lifetime. International standards set the tolerance in initial flux and connected load at  $\pm 10\%$ . Colour temperature is subject to a tolerance of up to  $\pm 150$  Kelvin from the nominal value. Unless stated otherwise, the values apply to an ambient temperature of 25°C. Commercial Lighting is continually developing and improving its products and reserves the right to change technical specifications without prior notice.