

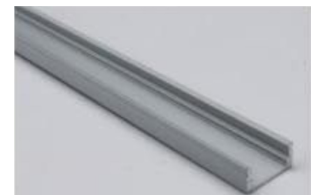
# LINEAR NARROW PROFILE HIGH POWER 2700K LED TAPE

The Sovereign Linear Narrow is our most popular profile, mounting with supplied plastic or metal mounting clips for a simple and clean solution. Can be supplied as simple straight linear profiles in a length of your choice, or designed to wrap around corners of any angle for more architectural solutions.

This High Power 2700K variant is available with fixed output or DALI dimming, as well as a range of voltages, higher IP ratings and CRI options.

## PRODUCT DETAILS

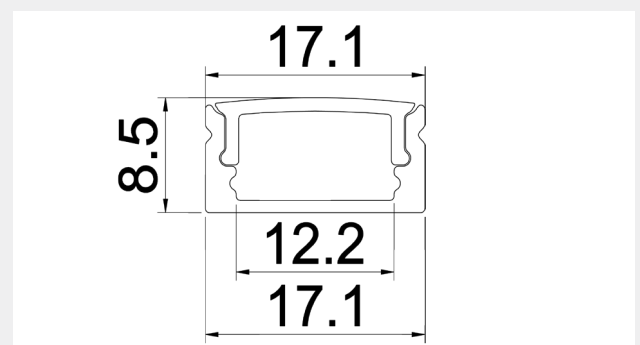
RANGE NAME	SOVEREIGN LINEAR NARROW HIGH POWER 2700K
CATALOGUE NO.	S18350W/AL7
APPLICATION	INTERIOR SURFACE MOUNTED
LIGHT SOURCE	LED TAPE
LAMP LIFE	50,000 HOURS
COLOUR RENDERING (RA)	>80
COL. TEMP	2700K
OUTPUT	14.4W/mtr
LUMEN OUTPUT	1000lm/mtr
VOLTAGE	12V DC
CRI	Ra>70
PROTECTION RATING	CLASS 1
LED/mtr	60 LEDs/mtr
VIEWING ANGLE	120°
HOUSING MATERIAL	EXTRUDED ALUMINIUM
HOUSING FINISH	ANODISED
LED WARRANTY	5 YEARS



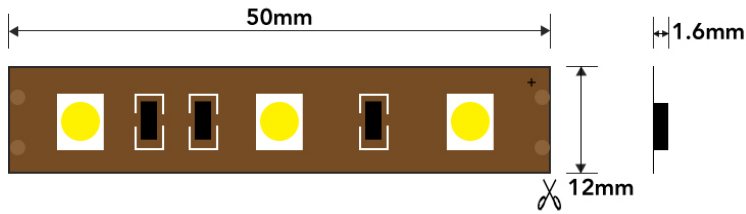
## CUSTOMISATION OPTIONS

LENGTH	ANY LENGTH (JOINS AT EVERY 2mtrs)
HOUSING COLOUR	SILVER AS STANDARD / OTHER BS/RAL
DIFFUSER	CLEAR / FROSTED / SEMI-FROSTED
DIMMABILITY	NON DIMMING / DALI DIMMING
IP RATING	IP67 (POTTED) AVAILABLE UP TO 2mtrs
ACCESSORIES	RANGE OF CONTROLLERS AVAILABLE
ADDITIONAL	HIGHER CRI RATINGS AVAILABLE

## PROFILE DIMENSIONS



## LED TAPE DIMENSIONS



## ORDER CODE

LIGHT SOURCE	LENGTH	PROFILE	DIFFUSER
<b>S18350W</b> HIGH POWER 2700K	<b>/1000</b> 1000mm	<b>AL7</b> LINEAR NARROW	<b>C</b> CLEAR
	<b>/2000</b> 2000mm		<b>F</b> FROSTED
	<b>/*</b> [STATE CUSTOM LENGTH]		<b>F50</b> SEMI-FROSTED

## CONTROLLERS

A wide range of handheld, wall-mounted and SMART controllers and dimmers are available on request.



Disclaimer text:

Commercial Lighting Systems Ltd uses quality components from leading suppliers, however there may be isolated instances of technology-related failures of individual LEDs during the rated product lifetime. International standards set the tolerance in initial flux and connected load at  $\pm 10\%$ . Colour temperature is subject to a tolerance of up to  $\pm 150$  Kelvin from the nominal value. Unless stated otherwise, the values apply to an ambient temperature of 25°C. Commercial Lighting is continually developing and improving its products and reserves the right to change technical specifications without prior notice.