

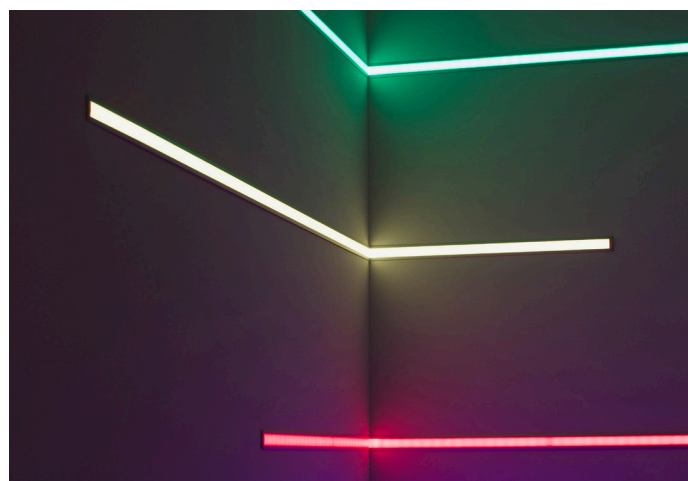
LINEAR RECESSED NARROW PROFILE HIGH POWER RGB LED TAPE

The Sovereign Linear Recessed Narrow is our most popular recessed profile, mounting directly into drywall without joist modification for a beautifully clean solution. Can be supplied as simple straight linear profiles in a length of your choice, or designed to wrap around corners of any angle for more architectural solutions.

This High Power RGB variant can provide anything from basic colour change using our inexpensive RGB controllers, right up to a full DMX control system.

PRODUCT DETAILS

RANGE NAME	SOVEREIGN LINEAR RECESSED NARROW HIGH POWER RGB
CATALOGUE NO.	S18353/ALR7
APPLICATION	INTERIOR RECESSED
LIGHT SOURCE	LED TAPE
LAMP LIFE	50,000 HOURS
COLOUR RENDERING	>80
COL. TEMP	RGB
OUTPUT	14.4W/mtr
VOLTAGE	12V DC
CRI	Ra>70
PROTECTION RATING	CLASS 1
LED/mtr	60 LEDs/mtr
VIEWING ANGLE	120°
HOUSING MATERIAL	EXTRUDED ALUMINIUM
HOUSING FINISH	ANODISED
LED WARRANTY	5 YEARS



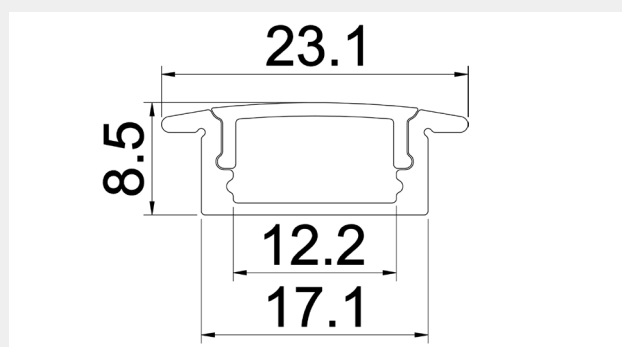
PROFILE IMAGE



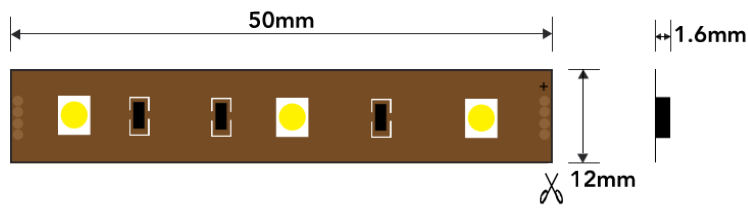
CUSTOMISATION OPTIONS

LENGTH	ANY LENGTH (JOINS AT EVERY 2mtrs)
HOUSING COLOUR	SILVER AS STANDARD / OTHER BS/RAL
DIFFUSER	CLEAR / FROSTED / SEMI-FROSTED
DIMMABILITY	NON DIMMING / DALI DIMMING
IP RATING	IP67 (POTTED) AVAILABLE UP TO 2mtrs
ACCESSORIES	RANGE OF CONTROLLERS AVAILABLE
ADDITIONAL	HIGHER CRI RATINGS AVAILABLE

PROFILE DIMENSIONS



LED TAPE DIMENSIONS



ORDER CODE

LIGHT SOURCE	LENGTH	PROFILE	DIFFUSER
S18353 HIGH POWER RGB	/1000 1000mm	ALR7 LINEAR RECESSED NARROW	C CLEAR
	/2000 2000mm		F FROSTED
	/**** [STATE CUSTOM LENGTH]		F50 SEMI-FROSTED

CONTROLLERS

A wide range of handheld, wall-mounted and SMART controllers and dimmers are available on request. Below are some options for RGB control

98905/RGB1	Controller with hand remote (Max 360W)
98095/RGBA	Amplifier (Max 288W)
98905/RGBR	Controller with colour wheel hand remote (Max 216W)
98095/RGBW	Wall controller (Max 144W)
98905/DMX1	DMX Decoder (Max 216W)
98095/DMX2	DMX Decoder c/w connectors (Max 288W)
98905/DMX	DMX Wall Control Panel



Disclaimer text:

Commercial Lighting Systems Ltd uses quality components from leading suppliers, however there may be isolated instances of technology-related failures of individual LEDs during the rated product lifetime. International standards set the tolerance in initial flux and connected load at $\pm 10\%$. Colour temperature is subject to a tolerance of up to ± 150 Kelvin from the nominal value. Unless stated otherwise, the values apply to an ambient temperature of 25°C. Commercial Lighting is continually developing and improving its products and reserves the right to change technical specifications without prior notice.