

LINEAR ANGLED PROFILE SINGLE COLOUR GREEN LED TAPE

The Sovereign Linear Angled profile is ideal for corner applications, providing a 45° illumination, mounted with supplied plastic or metal mounting clips for a simple and clean solution. Can be supplied as simple straight linear profiles in a length of your choice, or designed to wrap around corners of any angle for more architectural solutions.

This Single Colour Green variant offers an excellent combination of high light output with a strong colour to provide a pure colour effect. Available with a range of dimming controllers for greater flexibility.

PRODUCT DETAILS

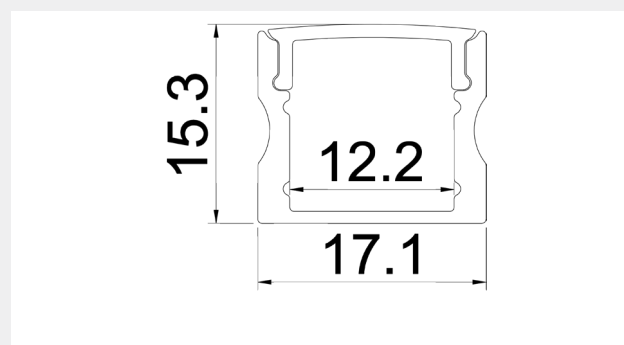
RANGE NAME	SOVEREIGN LINEAR ANGLED SINGLE COLOUR GREEN
CATALOGUE NO.	S18363/ALA
APPLICATION	INTERIOR SURFACE MOUNTED
LIGHT SOURCE	5050 LED
LAMP LIFE	50,000 HOURS
COL. TEMP	Green 520-525nm
OUTPUT	14.4W/mtr
LUMENS	810lm/mtr
VOLTAGE	12V DC
CRI	Ra>70
PROTECTION RATING	CLASS 1
LED/mtr	60 LEDs/mtr
VIEWING ANGLE	120°
HOUSING MATERIAL	EXTRUDED ALUMINIUM
HOUSING FINISH	ANODISED
LED WARRANTY	5 YEARS



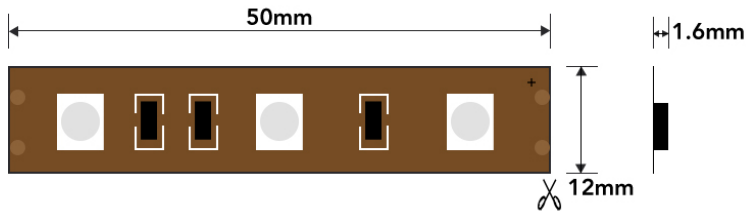
CUSTOMISATION OPTIONS

LENGTH	ANY LENGTH (JOINS AT EVERY 2mtrs)
HOUSING COLOUR	SILVER AS STANDARD / OTHER BS/RAL
DIFFUSER	CLEAR / FROSTED / SEMI-FROSTED
DIMMABILITY	NON DIMMING / DALI DIMMING
IP RATING	IP67 (POTTED) AVAILABLE UP TO 2mtrs
ACCESSORIES	RANGE OF CCT CONTROLLERS AVAILABLE

PROFILE DIMENSIONS



LED TAPE DIMENSIONS



ORDER CODE

LIGHT SOURCE	LENGTH	PROFILE	DIFFUSER
S18363 SINGLE COLOUR GREEN	/1000 1000mm	ALA LINEAR ANGLED	C CLEAR
	/2000 2000mm		F FROSTED
	/**** [STATE CUSTOM LENGTH]		F50 SEMI-FROSTED

CONTROLLERS

A wide range of handheld, wall-mounted and SMART controllers and dimmers are available on request.



Disclaimer text:

Commercial Lighting Systems Ltd uses quality components from leading suppliers, however there may be isolated instances of technology-related failures of individual LEDs during the rated product lifetime. International standards set the tolerance in initial flux and connected load at $\pm 10\%$. Colour temperature is subject to a tolerance of up to ± 150 Kelvin from the nominal value. Unless stated otherwise, the values apply to an ambient temperature of 25°C. Commercial Lighting is continually developing and improving its products and reserves the right to change technical specifications without prior notice.