

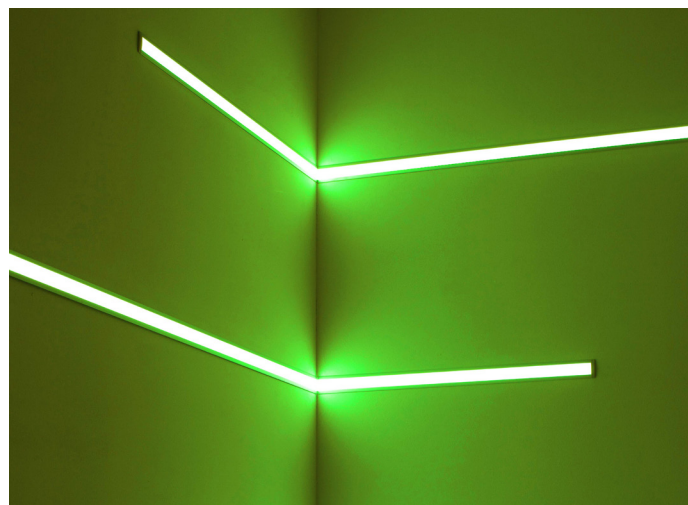
# LINEAR RECESSED NARROW PROFILE SINGLE COLOUR GREEN LED TAPE

The Sovereign Linear Recessed Narrow is our most popular recessed profile, mounting directly into drywall without joist modification for a beautifully clean solution. Can be supplied as simple straight linear profiles in a length of your choice, or designed to wrap around corners of any angle for more architectural solutions.

This Single Colour Green variant offers an excellent combination of high light output with a strong colour to provide a pure colour effect. Available with a range of dimming controllers for greater flexibility.

## PRODUCT DETAILS

RANGE NAME	SOVEREIGN LINEAR RECESSED NARROW SINGLE COLOUR GREEN
CATALOGUE NO.	S18363/ALR7
APPLICATION	INTERIOR RECESSED
LIGHT SOURCE	5050 LED
LAMP LIFE	50,000 HOURS
COLOUR RENDERING	>80
COL. TEMP	Green 520-525nm
OUTPUT	14.4W/mtr
LUMENS	810lm/mtr
VOLTAGE	12V DC
CRI	Ra>70
PROTECTION RATING	CLASS 1
LED/mtr	60 LEDs/mtr
VIEWING ANGLE	120°
HOUSING MATERIAL	EXTRUDED ALUMINIUM
HOUSING FINISH	ANODISED
LED WARRANTY	5 YEARS



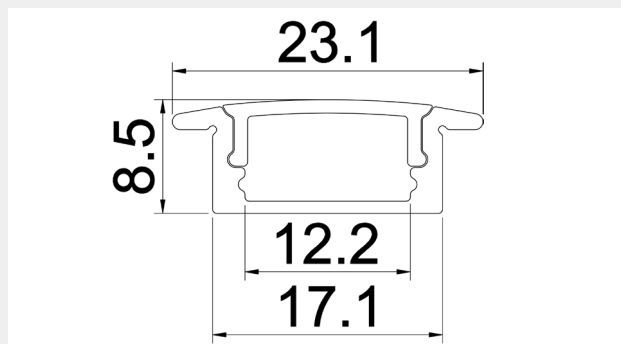
## PROFILE IMAGE



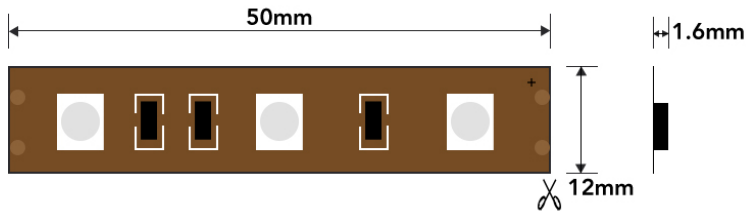
## CUSTOMISATION OPTIONS

LENGTH	ANY LENGTH (JOINS AT EVERY 2mtrs)
HOUSING COLOUR	SILVER AS STANDARD / OTHER BS/RAL
DIFFUSER	CLEAR / FROSTED / SEMI-FROSTED
DIMMABILITY	NON DIMMING / DALI DIMMING
IP RATING	IP67 (POTTED) AVAILABLE UP TO 2mtrs
ACCESSORIES	RANGE OF CCT CONTROLLERS AVAILABLE

## PROFILE DIMENSIONS



## LED TAPE DIMENSIONS



## ORDER CODE

LIGHT SOURCE	LENGTH	PROFILE	DIFFUSER
<b>S18363</b> SINGLE COLOUR GREEN	<b>/1000</b> 1000mm	<b>ALR7</b> LINEAR RECESSED NARROW	<b>C</b> CLEAR
	<b>/2000</b> 2000mm		<b>F</b> FROSTED
	<b>/****</b> [STATE CUSTOM LENGTH]		<b>F50</b> SEMI-FROSTED

## CONTROLLERS

A wide range of handheld, wall-mounted and SMART controllers and dimmers are available on request.



Disclaimer text:

Commercial Lighting Systems Ltd uses quality components from leading suppliers, however there may be isolated instances of technology-related failures of individual LEDs during the rated product lifetime. International standards set the tolerance in initial flux and connected load at  $\pm 10\%$ . Colour temperature is subject to a tolerance of up to  $\pm 150$  Kelvin from the nominal value. Unless stated otherwise, the values apply to an ambient temperature of 25°C. Commercial Lighting is continually developing and improving its products and reserves the right to change technical specifications without prior notice.